



INNOVATION WORKING FOR YOU

PS72

**Power Spur
Operator and Parts Manual**



REIST Industries Inc.
100 Union Street
Elmira, Ontario, Canada
N3B 3L7

Phone: 519-669-1501
Toll Free: 1-877-467-3478
www.reistindustries.com

Effective Serial Number Y4368

Contents

INTRODUCTION.....	2
PRODUCT CONFIGURATION	3
GENERAL SAFETY PRECAUTIONS	4
GENERAL SAFETY PRECAUTIONS	5
OPERATION AND TRANSPORTATION ON PUBLIC ROADS AND AREAS	6
SAFETY DECALS.....	6
DECAL PART NUMBERS.....	6
SAFETY DECALS.....	7
MAINTENANCE	8
TORQUE VALUES.....	8
STANDARD SETUP INSTRUCTIONS.....	9
SKID-STEER HOOKUP INSTRUCTIONS	9
OPERATION OF POWER SPUR.....	9
PS72 STANDARD FEATURES ASSEMBLY	10
OPTIONAL GAUGE WHEEL (126148) FITTING	11
POWER SPUR OPTIONAL GAUGE WHEEL ASSEMBLY (126148).....	12
WARRANTY INFORMATION.....	13

Record your product information for future reference:

Model Number: _____

Serial Number: _____

In Service Date: _____

Sold By: _____

INTRODUCTION

Thank you for choosing the REIST PS72 POWER SPUR. The Power Spur is a mid-mount power rake designed to couple between your loader and an attachment. It works inline with most attachments providing unlimited creativity for teams that proudly shape the earth.

We feel confident that this equipment will meet your expectations in workmanship, reliability and performance when used as designed. This manual is to assist you with the safe operation of the REIST POWER SPUR. It also has a parts list to help you when replacement parts are required. Any person who will be assembling, attaching, maintaining, or operating this product and the prime mover to which it is attached, are required to read and completely understand the information and instructions contained in this manual and that of the prime mover. Always obtain further assistance by contacting the dealer from which this product was purchased or by contacting REIST Industries at the telephone number or address below. Keep this manual available for reference whenever this product is being handled or used and we recommend that it is reviewed periodically and before seasonal use. Provide this manual to any new owners and/or operators and ensure they fully understand the safe operation of this equipment before it is placed in service.

Replacement copies of this manual are available for downloading at:
www.reistindustries.com

Innovation Working for You

REIST Industries Inc.

100 Union Street
Elmira, Ontario, Canada
N3B 3L7

Phone: 519-669-1501
Toll Free: 1-877-467-3478

The illustrations and information contained within this manual were current at the time of publication. Under our policy of continuous improvement, we reserve the right to change specifications and designs without prior notice. The illustrations do not necessarily show the standard version of product offered by REIST Industries.

PRODUCT CONFIGURATION

To ensure that the POWER SPUR 72 is matched to the right prime mover, the specifications are as follows:

Power Spur Model	PS72
Dimensions (WLH)	79 X 20 X 25"
Working Width	72"
Overall Width	79"
Suggested Bucket Width	78 - 84"
Weight (lbs)	720
Weight (kgs)	330
Continuous PSI	3,000 MAX
Roto Speed	230-450 RPM
Hyd. GPM Range	18-30
Rotor Torque @ 2500 PSI	550 FT-LBS
Mount Type	STD. SKIDSTEER



WARNING!

Exceeding the recommended specifications can result in damage to the equipment and will void all REIST Industries warranties.

The following references are used throughout this Operator's and Parts Manual:

Attachment, Implement	Refers to the POWER SPUR whether attached or separate from the prime mover
Prime Mover	The engine-driven machine to which this product is attached
Equipment	Refers to the Implement and or prime mover whether separate or connected
WARNING, DANGER, IMPORTANT	A notice that relates to the safe and efficient operation of the POWER SPUR or prime mover. Read and understand the reference before attaching or operating the POWER SPUR or the prime mover.

GENERAL SAFETY PRECAUTIONS

Careful operation is the best assurance against accidents. It is the owner's responsibility to make sure that all operators read and understand this manual and follow the recommendations, cautions and warnings before connecting to a prime mover and operating the equipment. The innovative REIST POWER SPUR was designed to allow operators to use it on its own, or with an attachment connected, adding both material handling efficiency and depth control.

Familiarize yourself with all controls and know how to quickly stop the equipment and all rotating parts in the case of an emergency.

Never let an untrained person or a child operate equipment.



WARNING!

DO NOT MODIFY THE POWER SPUR OR PRIME MOVER

Modifications may weaken the integrity of the POWER SPUR and may impair the operation, safety, and performance of the product. When making repairs, only qualified technicians using the manufacturer's genuine parts, following authorized instructions, shall attempt the repair. Never modify any ROPS (Roll Over Protection Structure) or FOPS (Falling Object Protective Structure) equipment or other safety device or remove guarding. Any modifications must be sanctioned in writing by an authorized representative of the manufacturer.



WARNING!

MAINTAIN AND REPAIR EQUIPMENT SAFELY

- Do not wear loose clothing, or any accessories that can catch in moving parts
- If you have long hair, cover or secure it so that it does not become entangled in the equipment
- Work on a level surface in a well-lit area.
- Always lower raised equipment to the ground or securely support it to prevent unintentional movement
- Remove and retain the prime mover's ignition key
- Use the correct tool for the job at hand. Make sure they are in good condition for the task required
- Wear the protective equipment specified by the tool manufacturer
- Use care when working on hydraulic systems and understand how to check for and release trapped hydraulic pressure

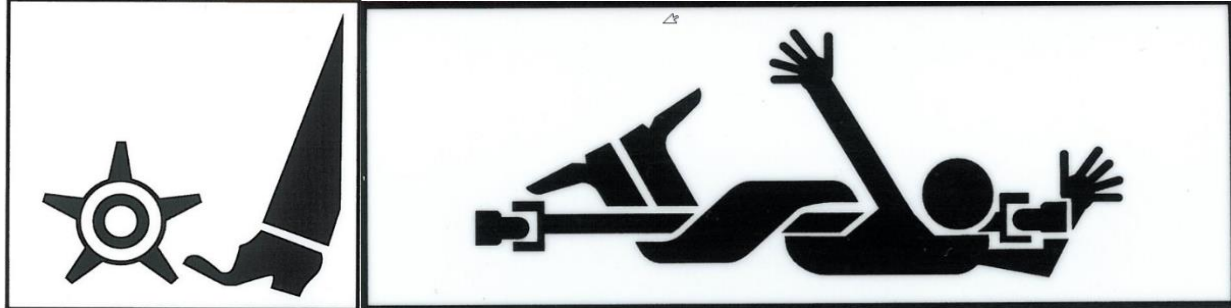
GENERAL SAFETY PRECAUTIONS



WARNING!

STAY CLEAR OF ROTATING OBJECTS

Keep hands, feet and clothing away from power driven rotating parts.



Never use your hands to clear if clogged. Never allow anyone to reach into the rotor housing. The rotor can crush and/or dismember. Keep everyone clear of the rotor until the prime mover engine is off and the hydraulic pressure has been relieved.



WARNING!

READ OPERATOR'S MANUAL BEFORE OPERATING

Do not operate equipment until you are completely trained by a qualified operator in how to use the controls, understand the machine's capabilities, dimensions, and all safety requirements. Refer to your operator's manual for these instructions.

- Do not operate an engine in confined or non-ventilated area
- Do not perform adjustments or repairs with the engine running
- Always lower raised equipment to the ground or securely support it to prevent unintentional movement
- Do not engage the rotor with the POWER SPUR lifted
- Do not operate on excessive inclines or side slopes – know the limitations of the prime mover – be careful when turning on slopes as a rollover condition may exist
- Never carry passengers
- Keep bystanders away from the machine when in operation
- Be aware of pedestrians
- Know how to quickly stop the equipment and all rotating parts in the case of an emergency
- Stop the prime mover, lower implements and turn off the engine before dismounting
- Refer to the prime mover's Operator's Manual for additional information




OPERATION AND TRANSPORTATION ON PUBLIC ROADS AND AREAS

Always adhere to the local laws and regulations concerning traveling or operating on public roadways and areas. Clean all lights, reflectors and mirrors ensuring that all lighting is in working order before moving. Know the area! i.e. Elevations, steep side drop offs. Watch out for pedestrians and use caution when approaching pedestrians, hazardous objects (stones, etc.) may inadvertently be discharged. Do not engage the POWER SPUR while roading. Always be alert while transporting or operating the equipment. Select a safe ground speed when transporting from one area to another. When operating, or driving on roadways, travel in such a way that faster moving vehicles may pass you safely.

SAFETY DECALS

Contact REIST Industries if replacement decals are required.







DECAL PART NUMBERS

Item	Part Number	Description
	WD111	WARNING Rotating Knives & Spikes
	WD112	Read Manual Decal
	WD116	Flying Objects Decal

SAFETY DECALS

Contact REIST Industries if replacement decals are required.

DECAL PART NUMBERS

Item	Part Number	Description
	WD120	Q.Tach Pinch Point Decal
	Serial	Serial Number Decal
	RD108	REIST Decal
	RD115	Made in Canada Decal
	RD156	POWER-SPUR Decal 2"x6" Stacked
	RD157	POWER-SPUR Decal 2"x17-1/2"

MAINTENANCE

Refer to the General Safety Precautions on page 4 of this manual before performing any maintenance.

1. After 10 hrs. of use, torque all bolts to spec's then again at the beginning of each season
2. Check hoses for wear or damage and replace as required.
3. If the rotor has excessive movement remove the Motor Mount at the end of the Rotor and check the bushings shown on page 10 and replace if necessary.
4. Replace Rotor when carbide tips have worn off. (this seldom happens)
5. Always check for missing or damaged parts and repair.

TORQUE VALUES

Size	Recommended Torque			
	Grade 5		Grade 8	
	Coarse	Fine	Coarse	Fine
1/4"	6.3	7.3	9	10
5/16"	13	14	18	20
3/8"	23	26	33	37
7/16"	37	41	52	58
1/2"	57	64	80	90
9/16"	82	91	115	129
5/8"	112	128	159	180
3/4"	200	223	282	315
7/8"	322	355	454	501
1"†	483	541	682	764

Torque values are in lb-ft. for slightly lubricated bolts.
† Fine thread figures are for 1"-14.

DO NOT use these values if a different torque value or tightening procedure is given for a specific application. Torque values listed are for general use only. Check tightness of fasteners periodically.

STANDARD SETUP INSTRUCTIONS

Improper installation, operation, or maintenance of this equipment could result in serious injury or death. FOLLOW ALL SAFETY INSTRUCTIONS IN THIS MANUAL AND THE PRIME MOVER'S MANUAL(S).

Refer to the operator's manual(s) for your prime mover and follow the mounting instructions contained therein.



WARNING!

STAY CLEAR OF ROTATING OBJECTS

Keep hands, feet and clothing away from power driven rotating parts.

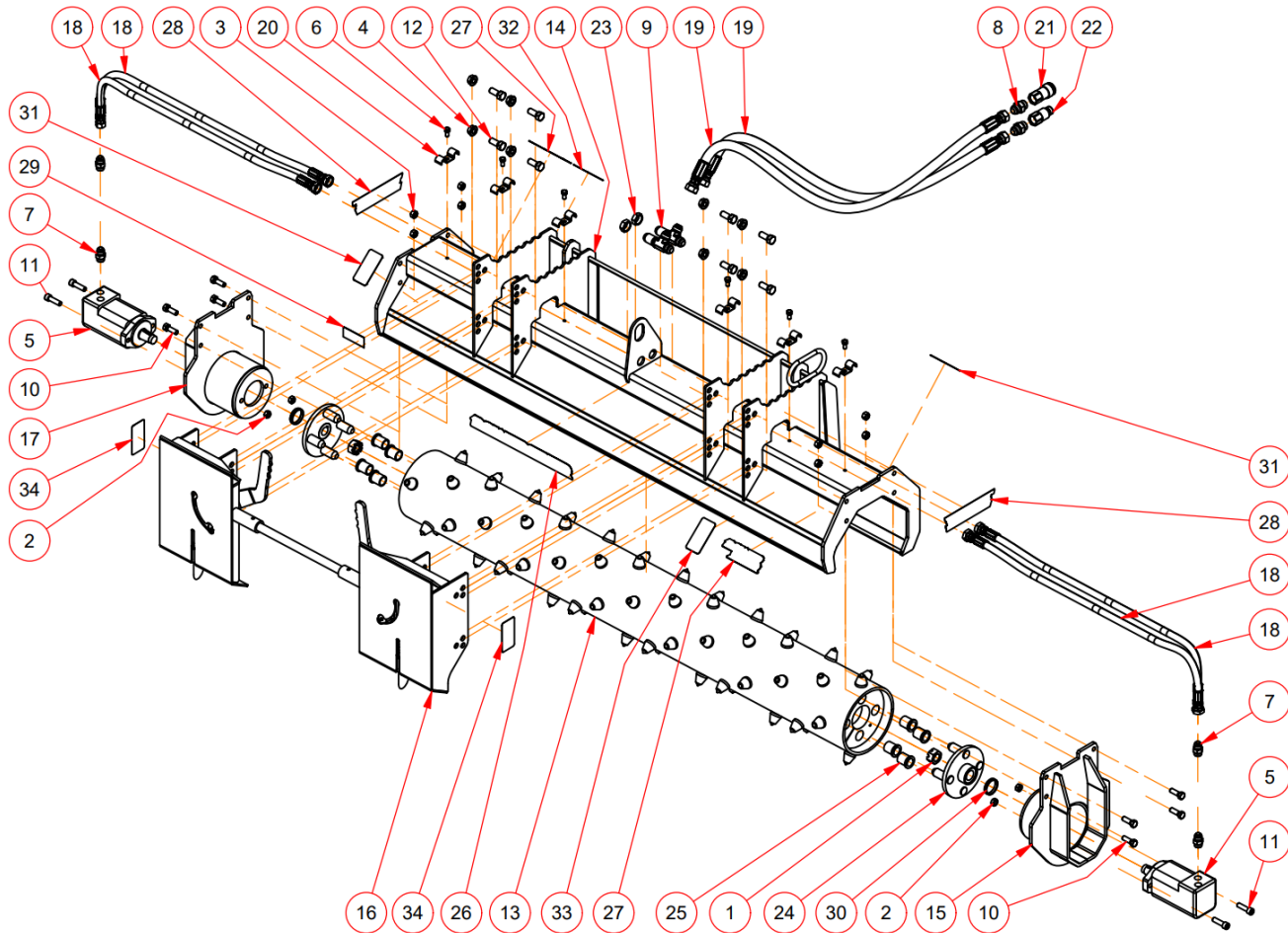
SKID-STEER HOOKUP INSTRUCTIONS

The POWER SPUR is equipped with a universal Skid Steer mount. Attach the Skid Steer to the POWER SPUR and connect the hydraulic hoses.

OPERATION OF POWER SPUR

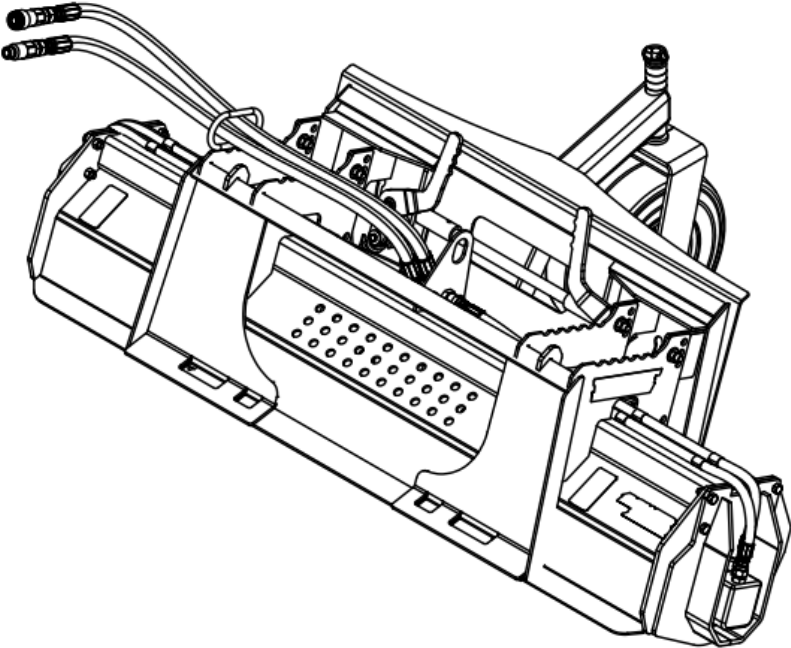
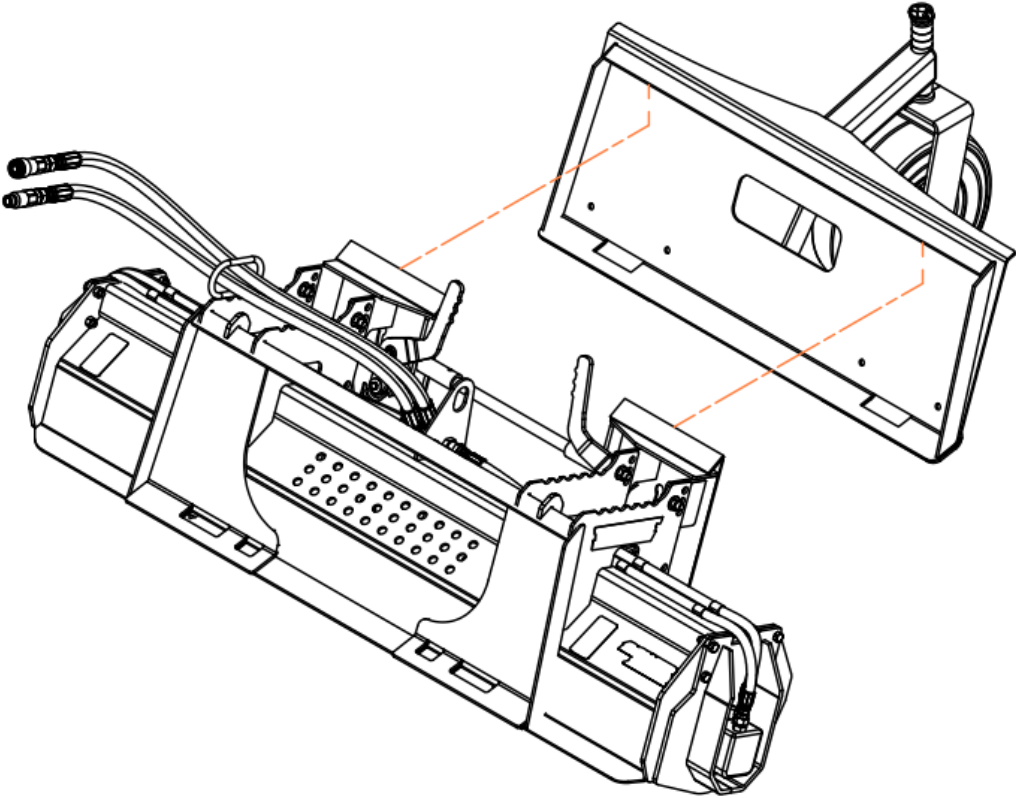
- Be sure the area is clear of all bystanders.
- Refer to the prime mover starting instructions.
- The rotor rotation direction is changed by reversing the oil flow from the controls of the prime mover.
- The POWER SPUR can be used with or without an attachment connected to the male adapter, but a bucket or the optional gauge wheel attachment is required to make a level surface.
- To make a level surface, tip the POWER SPUR forward until the tip of the coupled bucket or optional gauge wheel is set on the ground and the front of the Skid Steer is lifted slightly. Then tip the POWER SPUR back until the rotor is at the desired depth.
- Travel speed is determined by material being leveled. Slower speeds are required when tearing up sod, brush, or hard surfaces.

PS72 STANDARD FEATURES ASSEMBLY

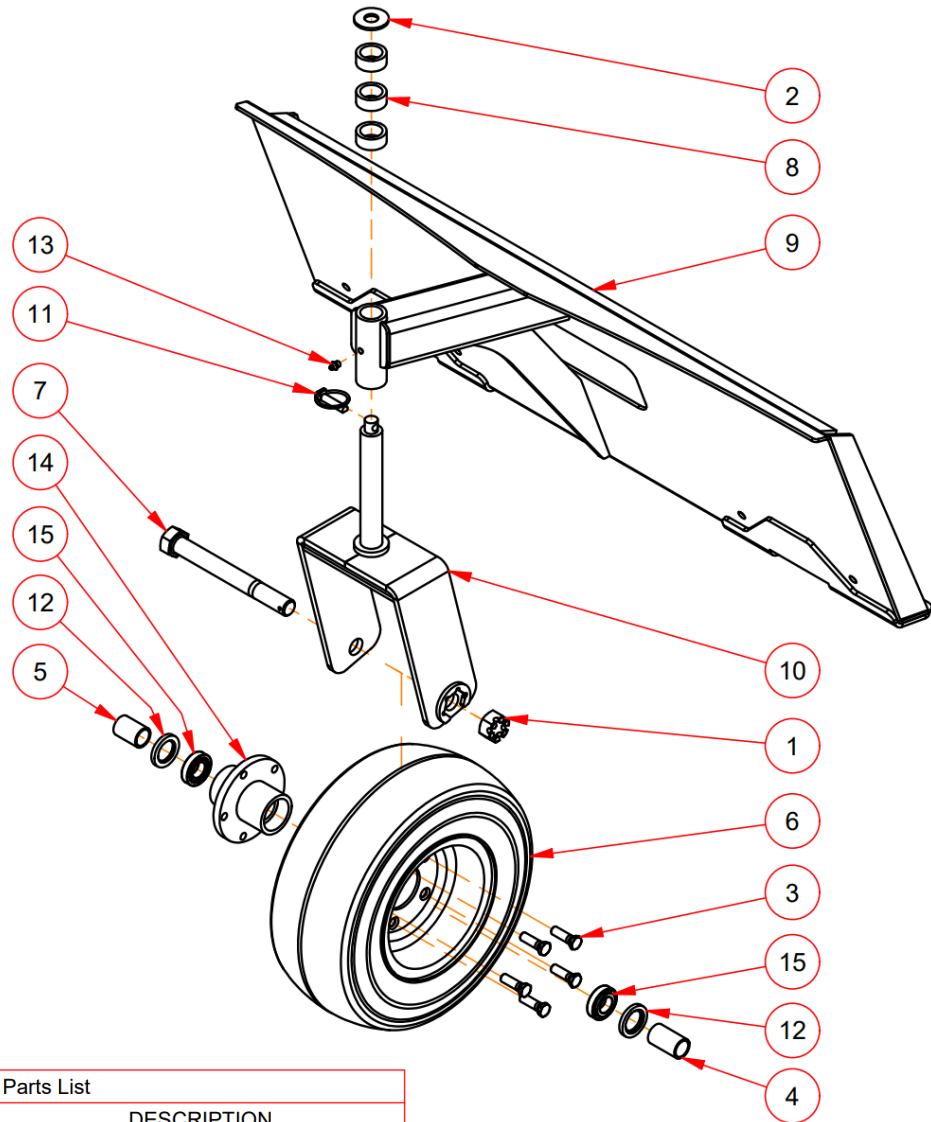


Parts List				Parts List			
ITEM	QTY	PART NUMBER	DESCRIPTION	ITEM	QTY	PART NUMBER	DESCRIPTION
1	2	1CNF	Slotted Hex Nut	19	2	125177	Hydraulic Hose H145512-12U612-12U672-46
2	4	12CLN	NC Lock Nut	20	6	C-1039	Hose Clip
3	8	12N	Hex Nut	21	1	FEM501-12F0	Female Flat Face Coupler
4	8	58FSLN	Flange Nut	22	1	FEM502-12FO	Male Flat Face Coupler
5	2	104-4100-006	2000 series hyd motor 2 bolt	23	2	HN 1 116 - 12 UN JAM	Hex Jam Nut 1-1/16 - 12 UN
6	6	3834	Hex Bolt	24	2	HRG04	Rotor Drive Adaptor Weldment
7	4	5315*10	Fitting	25	8	MF1-1620-24	Ingus bushing
8	2	5315*12	Fitting	26	1	RD157	POWER-SPUR Decal 2"x17-1/2"
9	2	5726*12	JIC Bulkhead Run Tee	27	2	RD156	POWER-SPUR Decal 2"x6" Stacked
10	8	12112	Hex Bolt	28	2	RD106	Reist Decal
11	4	12134CSH	Socket Head	29	1	RD153	PS72 Decal
12	8	58112	Hex Bolt	30	2	RVA-045	Oil Seal
13	1	100174	Rotor Weldment 72	31	2	WD111	Danger to Feet - Stay Clear of Frontl Decal
14	1	125038	Mid Frame 72	32	1	WD112	WARNING - Read Manual Decal
15	1	125047	Motor Mount L	33	1	WD116	WARNING Flying Object Decal
16	1	125061	PS Male Adapter	34	2	WD120	Q.Tach Pinch Point Decal
17	1	125068	Motor Mount R				
18	4	125161	Hydraulic Hose H24508-08U610-08U612-40				

OPTIONAL GAUGE WHEEL (126148) FITTING



POWER SPUR OPTIONAL GAUGE WHEEL ASSEMBLY (126148)



Parts List			
ITEM	QTY	PART NUMBER	DESCRIPTION
1	1	1CNF	Castle Hex Nut
2	1	34F	Flat Washer
3	5	500-20	Wheel bolt Bolt
4	1	107106	Spacer L
5	1	107107	Spacer S
6	1	108110	Wheel 16.5x8 5 on 4.5
7	1	117443	1-9NF BP Hex Bolt w 3/16 Hole
8	3	124988	Spindle Washer
9	1	125013	Wheel Weldment
10	1	125118	Wheel Swivel Weldment
11	1	385507	7/16 Lynch Pin
12	2	CR523696	Seal
13	1	GF	1/8 NPT ST Zerk
14	1	H010005450	Hub
15	2	L44643 L44610	Tapered Roller Bearing

WARRANTY INFORMATION

All new REIST machinery is warranted to be free from defects in material or workmanship, which may cause failure under normal usage and service when used for the purpose intended for a period of 12 months. This warranty applies only to a new REIST product, there being no warranty of any nature in respect to new products that have been modified or altered, repaired, neglected, or used in any way, which, in the opinion of REIST adversely affects its performance.

In the event of failure of a part or parts, and upon inspection, REIST is satisfied that failure is due to defective material or workmanship within 12 calendar months from the date of delivery to an end user, such defective part or parts will be repaired or replaced by REIST Industries Inc. It is the responsibility of the buyer, at his expense, to transport the machine or equipment to the manufacturer service shop or to an authorized service depot or, alternatively, to reimburse REIST for any travel or transportation expense involved in fulfilling this warranty.

When requested by REIST, part or parts shall be returned for inspection, transportation prepaid, to a place designated by REIST. IN NO EVENT SHALL THE BUYER BE ENTITLED TO RECOVER FOR INCIDENTAL OR CONSEQUENTIAL DAMAGES, INCLUDING, BUT NOT LIMITED TO, LOSS OF PRODUCT, INCONVENIENCE, RENTAL OR REPLACEMENT EQUIPMENT, LOSS OF PROFIT, OR OTHER COMMERCIAL LOSS.

This warranty becomes void and null if the equipment is modified, breaks down as the result of an accident, is not operated according to manufacturer's recommendations, damaged by negligence or if maintenance has not been carried out as specified.

THIS WARRANTY IS NOT TRANSFERABLE

REIST Industries Inc.
100 Union Street
Elmira, Ontario, Canada
N3B 3L7